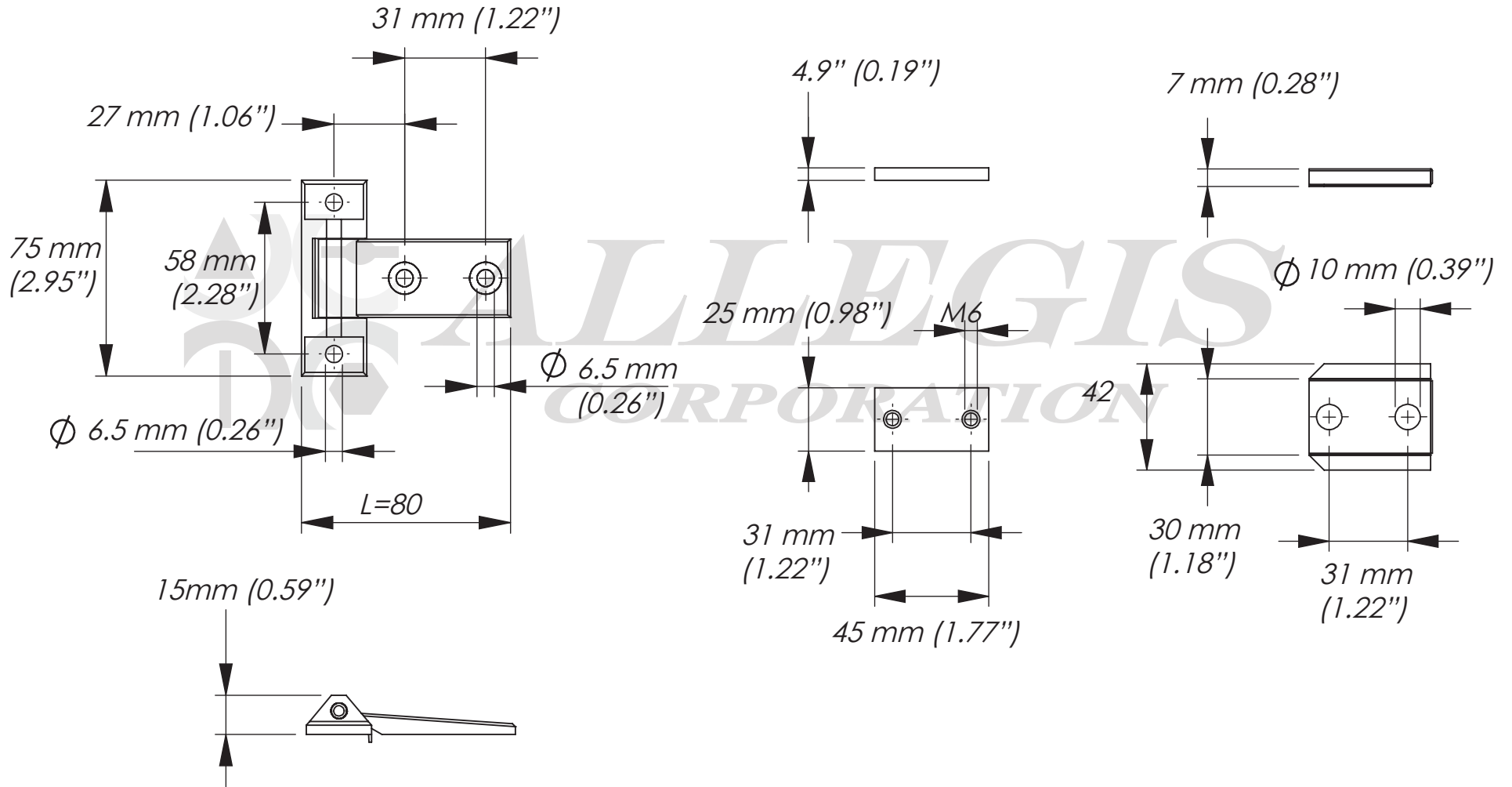


APPROVAL - CUSTOMER NAME & SIGNATURE

DATE



www.ALLEGISCORP.com
1-866-378-7550

MATERIAL / FINISH :
 Zinc plated

REV. :

1 : 1

DATE :

1-11-2016

DESCRIPTION :

Hinge

DRAWING NO. :

321129